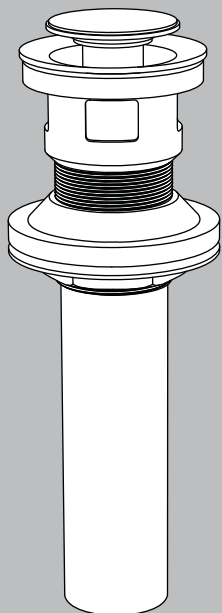


INSTRUCTIONS FOR MODELS


S-3470



NEED HELP?

For additional assistance or service please contact:

SPEAKMAN® Company
400 Anchor Mill Road
New Castle, DE 19720

 800-537-2107

 customerservice@speakmancompany.com

 www.speakmancompany.com

92-S-3470-R1

TOOLS AND SUPPLIES

Slip Joint
Wrench



Plumber's
Putty



IMPORTANT



SAFETY TIPS



Be sure to wear eye protection.

MAINTENANCE



Your new Faucet Drain is designed for years of trouble-free performance. Keep it looking new by cleaning it periodically with a soft cloth. Avoid abrasive cleaners, steel wool, and harsh chemicals as these will dull the finish and void your warranty.

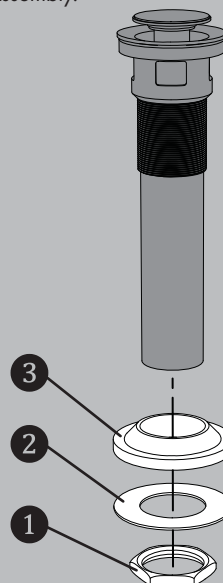
WARRANTY



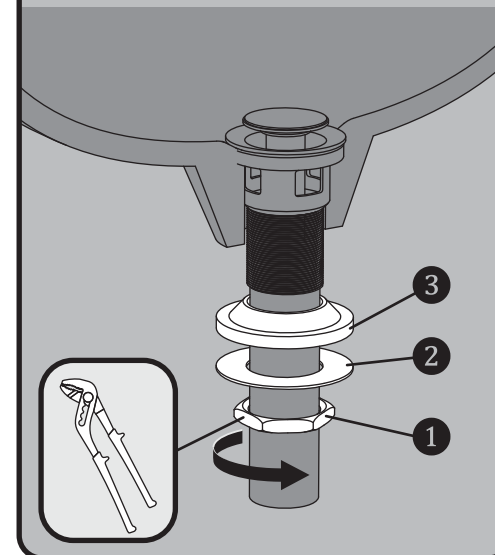
1 Year Limited Warranty

Additional warranty information can be found at:
www.speakmancompany.com

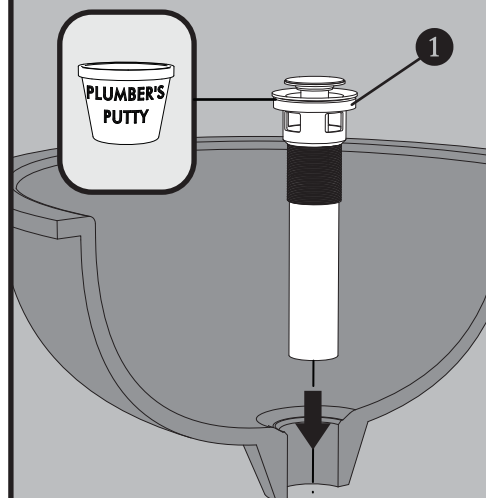
- 1** Remove Mounting Nut (1), Metal Washer (2), and Sealing Washer (3) from Drain Assembly.



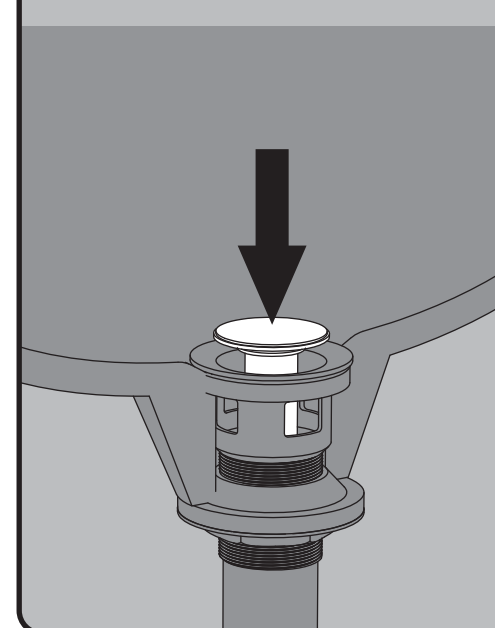
- 3** From below, install Sealing Washer (3), Metal Washer (2), and secure with Mounting Nut (1). Tighten with Slip Joint Pliers. Take care to not over-tighten connection.



- 2** Apply included Upper Drain Seal (1) or Plumber's Putty to the underside of the Upper Flange. Insert Drain Assembly into drain hole of sink from above.



- 4** Test Drain operation by pressing down on Stopper to open/close Drain.



NOTES:

COMPLIANCE:

ASME A112.18.1/CSA B 125.1

FEATURES:

- Brass Construction
- Rubber Seals

CONNECTIONS:

For 1-1/4" Drain Connections

